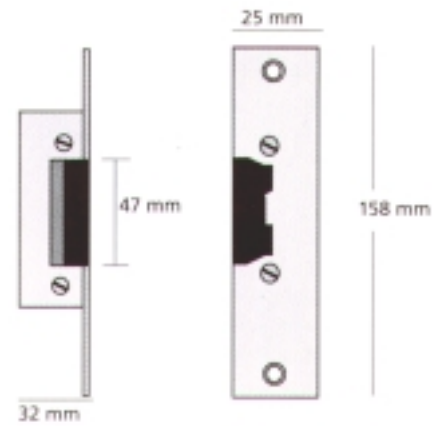


Dorcac Electric Releases

A.J.B. Project Services Ltd supply the Dorcas fully comprehensive range of European and American style electric door releases to suit most timber door / frame and lock combinations.

STANDARD MORTICE ELECTRIC RELEASE

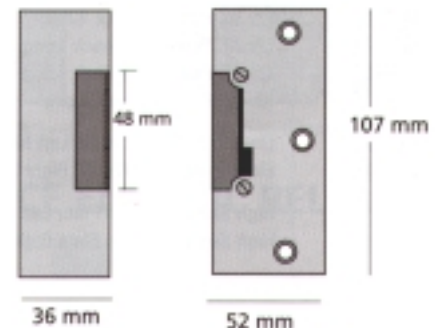
| Part No. | Description | List |
|--------------|---|-------|
| DC-NG | 12Vac Mortice electric release fail locked grey | 7.11 |
| DC-NB | 12Vac Mortice electric release fail locked brass | 11.73 |
| DC-N412G | 12Vdc Mortice electric release fail locked grey | 12.64 |
| DC-N412B | 12Vdc Mortice electric release fail locked brass | 13.66 |
| DC-N512G | 12Vdc Mortice electric release fail unlock grey | 14.26 |
| DC-N512B | 12Vdc Mortice electric release fail unlock brass | 15.11 |
| DC-N305-412G | 12Vdc Mortice electric release monitored fail locked grey | 32.10 |
| DC-N305-512G | 12Vdc Mortice electric release monitored fail unlock grey | 37.42 |
| DC-N424G | 24Vdc Mortice electric release fail locked grey | 13.31 |
| DC-N524G | 24Vdc Mortice electric release fail unlock grey | 15.21 |



MORTICE ELECTRIC RELEASE

STANDARD RIM ELECTRIC RELEASE

| Part No. | Description | List |
|--------------|--|-------|
| DC-N203G | 12Vac Rim electric release fail locked grey | 7.77 |
| DC-N203B | 12Vac Rim electric release fail locked brass | 17.15 |
| DC-N203-412G | 12Vdc Rim electric release fail locked grey | 12.68 |
| DC-N203-412B | 12Vdc Rim electric release fail locked brass | 19.17 |
| DC-N203-512G | 12Vdc Rim electric release fail unlock grey | 14.27 |
| DC-N203-512B | 12Vdc Rim electric release fail unlock brass | 24.24 |



RIM ELECTRIC RELEASE

FEATURES

- Mortice range to suit latches
- Rim range to suit traditional night latches
- Dual voltage 12 Volts or 24 Volts, AC or DC
- Low traffic applications
- Up to 650lbs jaw strength
- Economic solution
- CE Approved
- Fail Locked - also known as fail secure
- Fail opened - also known as fail safe

| | | |
|-------------------|---------------|-------|
| Holding Force | Up to 650 lbs | |
| Operating Current | 12Vac | 650mA |
| | 12Vdc | 110mA |
| | 24Vdc | 87mA |

<http://www.secure2000.co.uk/>

Tel: 020 88480045

Fax: 0870 1371198

AJB Project Services Ltd

e-mail:project@secure2000.co.uk

Dorcac Electric Releases

M SERIES MORTICE ELECTRIC RELEASE

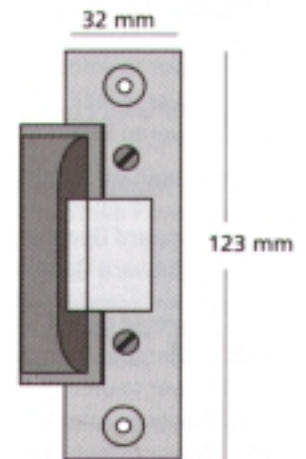
Mortice with Lip American Style (149x28mm)

| Part No. | Description | List |
|---------------|---|-------|
| AC-DCN46 | 12Vac Electric release fail locked grey | 19.17 |
| AC-DCN46-412G | 12Vdc Electric release fail locked grey | 24.85 |
| AC-DCN46-512G | 12Vdc Electric release fail unlock grey | 28.86 |

Mortice ANSI Style (123x32)

| Part No. | Description | List |
|--------------|---|-------|
| AC-DCN47 | 12Vac Electric release fail locked grey | 32.96 |
| AC-DCN47-412 | 12Vdc Electric release fail locked grey | 38.04 |
| AC-DCN47-512 | 12Vdc Electric release fail unlock grey | 45.66 |

| | | |
|-----------------------------|--------------------|---------------|
| Current Consumption: | Mortice ANSI Style | 12Vdc = 210mA |
| | N46 and N47 | 12Vdc = 210mA |



MORTICE M47 SERIES
M46 Series (149x28)

Note: All DC Electric Releases are continuously rated

<http://www.secure2000.co.uk/>