

## PR-PROX-PNT Proximity Reader Installation

The Prox Point is a Wiegand output proximity reader suitable for indoor or outdoor use. It is equipped with one LED which is reader-controlled. There is no audio output (no beeper or buzzer).

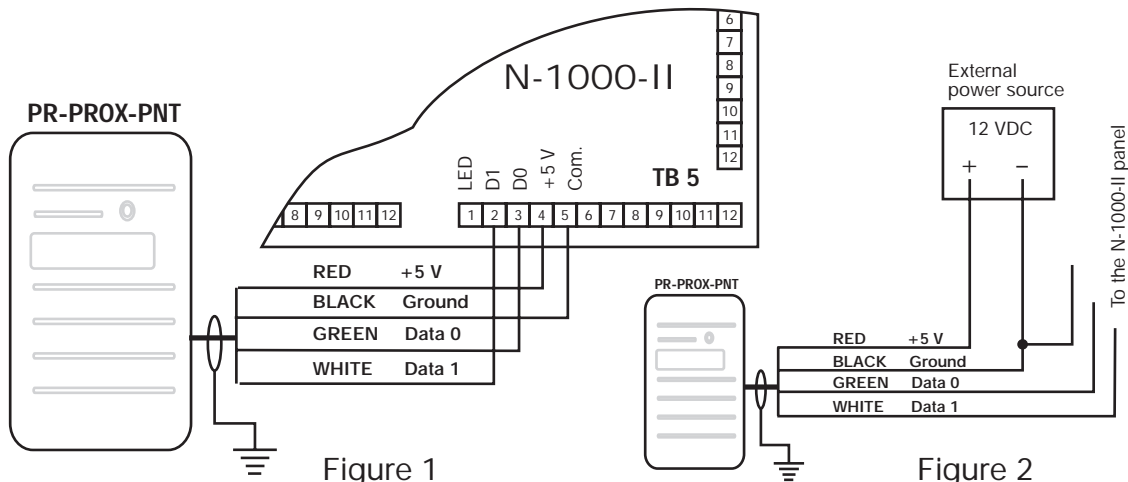
The Prox Point reader can be mounted to existing brackets, single or double gang junction boxes (with appropriate adapters) and to any surface, including metal, using appropriate mounting hardware.

### WIRING PANEL CONNECTIONS:

| Wire Color | Function             | N-1000-II                                      | N-1000-III   | N-1000-IV  |
|------------|----------------------|--|--|--|
| Red        | Reader DC+           | TB5-4 <sup>(1)</sup> or<br>12 V Power Supply + | TB5-4 +5V or<br>12 V Power Supply + <sup>(2)</sup> | SPX-4 +5V or<br>12 V Power Supply + <sup>(2)</sup> |
| Black      | Reader Common<br>GND | TB5-5<br>Separate Supply -                     | TB5-5  | SPX-4 GND and                                      |
| Green      | Reader Data 0        | TB5-3 (RD #1)<br>or TB5-6 (RD #2)              | TB5-3 (RD #1) or<br>or TB5-6 (RD #2)               | SPX-4 D0   |
| White      | Reader Data1         | TB5-2 (RD #1) or<br>TB5-7 (RD #2)              | TB5-2 (RD #1) or<br>TB5-7 (RD #2)                  | SPX-4 D1   |
| Drain      | Chassis Ground       | Chassis Ground                                 | Shield TB5-12                                      | SPX-4 Shield                                       |

The PR-PROX-PNT can be supplied with 5 VDC power from the panel (figure 1).

- (1.) If 12 volt power is required, an external source must be used with N-1000-II panels (figure 2).
- (2.) If 12 volt power is required, the reader can be operated using the 12 volts available at the N-1000-III/IV panel's TB9-7.



Specifications subject to change

TD2125

### Northern Computers, Inc.

#### Headquarters:

5007 S. Howell Ave.  
Milwaukee, WI 53207 USA  
Tel: 1 (414) 769-5980  
Fax: 1 (414) 769-5989  
or 1 (414) 769-5996 (Int'l)

#### Worldwide Locations:

- Waterloo, Australia  
Tel: (612) 9699-3700 • Fax: (612) 9699-3101
- Sao Paulo, Brazil  
Tel: (55) (11) 826-4944 • Fax: (55) (11) 826-0649
- Montreal, Quebec, Canada  
(514) 933-3363 • Fax: (514) 933-3447
- La Verrière, France  
Tel: (33) 1-30-13-03-93 • Fax: (33) 1-30-13-03-90
- Quito, Ecuador  
Tel: (593) (2) 265-588-91 • Fax: (593) (2) 461-379
- Hong Kong  
Tel: (852) 2528-1897 • Fax: (852) 2528-4599

- Mexico City, Mexico  
Tel: (52) (5) 280-7890 • Fax: (52) (5) 280-8555
- Moscow, Russia  
Tel: (7) 095-723-2626 • Fax: (7) 095-956-5428
- Crawley, Sussex, United Kingdom  
Tel: (44) 1293-552599 • Fax: (44) 1293-523061



# TECHNICAL BULLETIN

May 1998; Rev. 1.0 (page 2 of 2)

## TESTING AND OPERATION

After wiring the reader and power supply, the reader is ready to be tested.

1. Power up the reader and the LED flashes green to red to green to red. This indicates that the micro-controller unit is working properly.
2. Present an ID card to the reader and the LED should momentarily turn green, indicating a read of the card. After that, the LED returns to red.
3. Secure the cover to the base.

*Specifications subject to change*

TD2125

### Northern Computers, Inc.

#### Headquarters:

5007 S. Howell Ave.  
Milwaukee, WI 53207 USA  
Tel: 1 (414) 769-5980  
Fax: 1 (414) 769-5989  
or 1 (414) 769-5996 (Int'l)

#### Worldwide Locations:

- Waterloo, Australia  
Tel: (612) 9699-3700 • Fax: (612) 9699-3101
- Sao Paulo, Brazil  
Tel: (55) (11) 826-4944 • Fax: (55) (11) 826-0649
- Montreal, Quebec, Canada  
(514) 933-3363 • Fax: (514) 933-3447

- La Verriere, France  
Tel: (33) 1-30-13-03-93 • Fax: (33) 1-30-13-03-90
- Quito, Ecuador  
Tel: (593) (2) 265-588-91 • Fax: (593) (2) 461-379
- Hong Kong  
Tel: (852) 2528-1897 • Fax: (852) 2528-4599

- Mexico City, Mexico  
Tel: (52) (5) 280-7890 • Fax: (52) (5) 280-8555
- Moscow, Russia  
Tel: (7) 095-723-2626 • Fax: (7) 095-956-5428
- Crawley, Sussex, United Kingdom  
Tel: (44) 1293-552599 • Fax: (44) 1293-523061