

## DORCAS ELECTRIC RELEASE - STANDARD MORTICE

Part No.	Description	Price
DC-NG	12 Volt AC Electric release fail lock Stainless Steel (Note 1)	£7.96
DC-AG	12 Volt AC Electric release fail lock Stainless Steel (Note 2)	£10.45
DC-NB	12 Volt AC Electric release fail lock Polished brass	£11.44
DC-N412G	12 Volt DC Electric release fail lock Stainless Steel	£13.02
DC-N412B	12 Volt DC Electric release fail lock Polished brass	£14.07
DC-N512G	12 Volt DC Electric release fail unlock Stainless Steel	£14.69
DC-N512B	12 Volt DC Electric release fail unlock Polished brass	£15.56
DC-N305-412G	12 Volt DC Electric release monitored fail lock S/Steel	£33.06
DC-N305-512G	12 Volt DC Electric release monitored fail unlock S/Steel	£38.54
DC-N424G	12 Volt DC Electric release fail lock Stainless Steel	£13.71
DC-N524G	12 Volt DC Electric release fail unlock Stainless Steel	£15.67



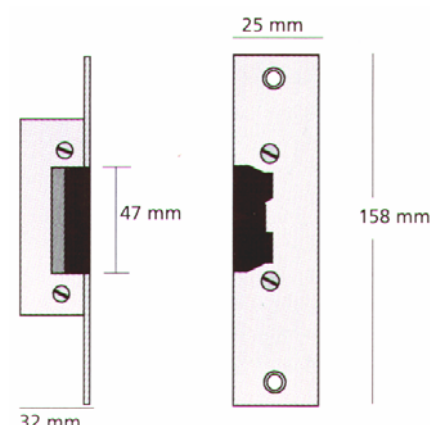
Dorcas DC-N305-412G

### Notes

1. The DC-NG 12 volt AC coil is rated for intermittent operation only and should not be constantly powered (Held Open)
2. The DC-AG 12 volt AC coil is rated for continuous operation and may be constantly powered (Held Open)

## DORCAS ELECTRIC RELEASE - ADJUSTABLE JAW

Part No.	Description	Price
DC-NG-FLEX	12 Volt AC Electric release fail lock Stainless Steel	£10.57
DC-N412-FLEX	12 Volt DC Electric release fail lock Stainless Steel	£15.26
DC-N512-FLEX	12 Volt DC Electric release fail Unlock Stainless Steel	£16.45



Dorcas NG-FLEX  
Dimensions as Standard Mortice

## DORCAS ELECTRIC RELEASE - SASH TYPE

Part No.	Description	Price
DC-412GE-LH	12 Volt DC Electric release fail lock Stainless Steel	£13.08
DC-412GE-R	12 Volt DC Electric release fail lock Stainless Steel	£13.08
DC-NGE-LH	12 Volt AC electric release fail lock Stainless Steel	£15.14
DCNGE-RH	12 Volt AC electric release fail lock Stainless Steel	£15.14

Tel: +44 (0) 208 848 0045

Fax: +44 (0) 208 589 9301

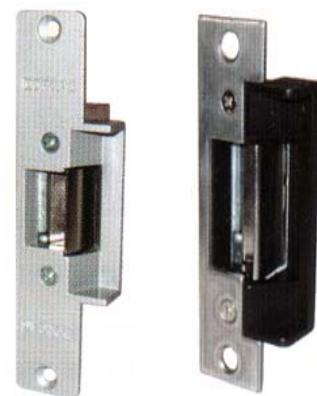
E-mail: electric-strikes@secure2000.co.uk

#### DORCAS N46 SERIES ELECTRIC RELEASE

Part No.	Description	List
AC-DCN46	12Vac Electric release fail lock grey	£19.17
AC-DCN46-412G	12Vdc Electric release fail lock grey	£24.85
AC-DCN46-512G	12Vdc Electric release fail unlock grey	£28.86

#### DORCAS N47 SERIES ELECTRIC RELEASE

Part No.	Description	List
AC-DCN47	12Vac Electric release fail lock grey	£32.96
AC-DCN47-412	12Vdc Electric release fail lock grey	£38.04
AC-DCN47-512	12Vdc Electric release fail unlock grey	£45.66



AC-DCN46

AC-DCN47

#### DORCAS SURFACE CASES (Electric Release Not Supplied)

Part No.	Description	Price
AC-DCF201C	Chrome case for: AG, NG, N412G, N512G, N305, N424G, N524G	£6.78
AC-DCF202B	Polished Brass case for: NB, N412B and N512B etc	£10.67
AC-DCF206G	Grey case for: AG, NG, N412G, N512G, N305, N424G & N524G	£5.09
AC-DCN9	Grey case for: AG, NG, N412G, N512G, N305, N424G & N524G	£9.98

## Note:

- 1) The AC-DCDCF201 202 and 206 are suitable for Inward Opening Doors
- 2) The AC-DCN9 is suitable for Outward Opening Doors

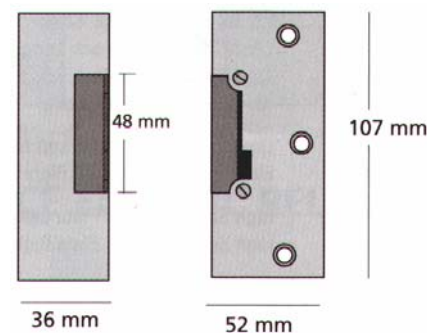


AC-DCF206G

AC-DCN9

#### DORCAS RIM CASE (Complete with Electric Release)

Part No.	Description	Price
<b>RIM Standard Type 107mm x 52mm (shown)</b>		
AC-DCN203G	12 Volt AC Electric release fail lock grey	£8.00
AC-DCN203-412G	12 Volt DC Electric release fail lock grey	£13.06
AC-DCN203-412B	12 Volt DC Electric release fail lock Polished brass	£19.75
AC-DCN203-512G	12 Volt DC Electric release fail unlock grey	£14.70
AC-DCN203-512B	12 Volt DC Electric release fail unlock Polished brass	£24.97
<b>RIM Standard Type c/w Mortice Plate</b>		
AC-DCN203 + S	12 Volt AC Electric release fail lock grey	£8.69
AC-DCN203-512 + S	12 Volt DC Electric release fail unlock grey	£13.23
AC-DCN203-412 + S	12 Volt DC Electric release fail lock grey	£14.92



Dorcac AC-DCN203G