

Magnetic Shear Locks

7000 Series Magnetic Shear lock
For wood, metal and armour-plate glass doors

Description and Application

AJB Project Services Ltd stock the most commonly used magnetic shear locks for armour plate glass, wood and metal doors. There are 12 locks in the 7000 Series, each to suit a specific application, frame or door type.

Depending on the model you choose, the magnet body and armature plate may be surface mounted or morticed into wood, steel or aluminium door frames. They may also be surface mounted to armour-plate glass doors and frames or a combination of armour-plate glass (APG), wood or metal.

The locks can be ordered with or without monitoring. The electro-magnetic shear-lock, by means of Hall Effect monitoring, will activate a SPDT contact only when the armature plate is positively sealed to the magnet body. This is very important in access control situations, where the system needs to know whether the door is open or closed.

Summary and Benefits

Magnetic Shear lock



7000 Series

7000 Series Magnetic Shearlock

The 7000 series is a quality British-made Slim-line Electromagnetic Shear lock, designed to suit a wide variety of applications, which include single and double swing doors. The armature plate is designed to fit neatly into the top of the door and the magnet body into the transom area. When the door is closed, high tensile shear pins, which are set in the magnet body, locate into the face of the armature plate, thus giving a high physical shear holding force.

Specification

Voltage (Jumper Selectable)	Pull-in Current	Running Current	Max. Holding Force
12Vdc	1.2 Amp	550mA	1500kg/3300lbs
24Vdc	1.2 Amp	500mA	1500kg/3300lbs

Magnetic Shear Locks

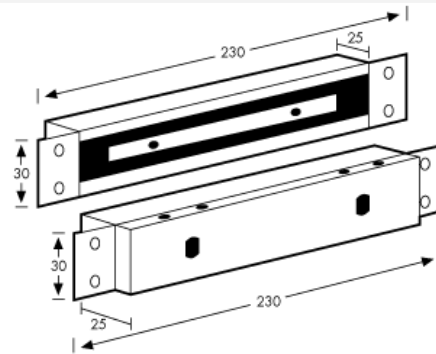
7000 Series Magnetic Shear lock
For wood, metal and armour-plate glass doors

7000 Series Shear locks

Call for applicable Discount

DSH700 Un-monitored Shear Lock

The DSH700 is an un-monitored mortice shear lock body and mortice armature plate. Allowing both magnet body and armature plate to be concealed within the frame and door. Both parts of this shear lock are only suitable for wood or metal doors.



£399.00

DSH701 Monitored Shear Lock

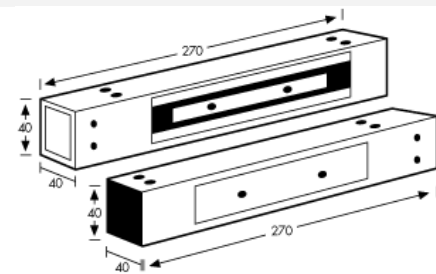
The DSH701 is a monitored mortice shear lock body and mortice armature plate. Allowing both magnet body and armature plate to be concealed within the frame and door. Both parts of this shear lock are only suitable for wood or metal doors.

DSH700

£454.00

DSH710 Un-monitored Shear Lock

The DSH710 is an un-monitored surface shear lock body for wood or metal frames with surface armature plate for wood or metal doors.



£508.00

DSH711 Monitored Shear Lock

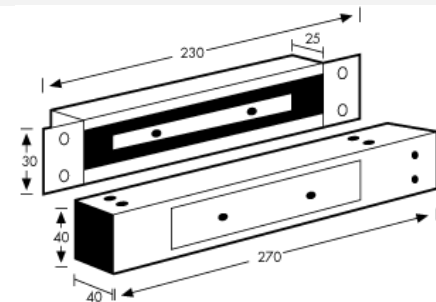
The DSH711 is a monitored surface shear lock body for wood or metal frame with surface armature plate for wood or metal frame.

DSH710

£563.00

DSH720 Un-monitored Shear Lock

The DSH720 is an un-monitored mortice shear lock body for wood or metal frames with surface armature plate for wood or metal doors.



£454.00

DSH721 Monitored Shear Lock

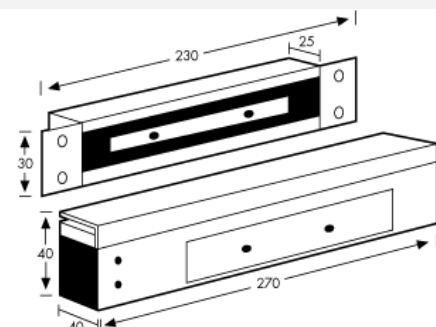
The DSH721 is a monitored mortice shear lock body for wood or metal frames with surface armature plate for wood or metal doors.

DSH720

£508.00

DSH730 Un-monitored Shear Lock

The DSH730 is an un-monitored mortice shear lock body for wood or metal frames with a surface mount armature plate and mounting sleeve for armour plate glass doors.



£508.00

DSH731 Monitored Shear Lock

The DSH721 is a monitored mortice shear lock body for wood or metal frames with a surface mount armature plate and mounting sleeve for armour plate glass doors.

DSH730

£563.00

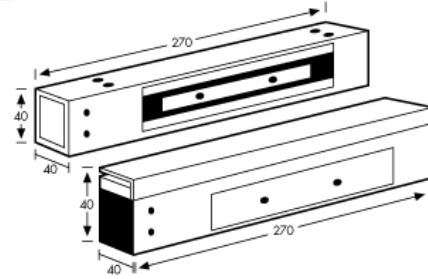
Magnetic Shear Locks

7000 Series Magnetic Shear lock
For wood, metal and armour-plate glass doors

7000 Series Shear locks

DSH750 Un-monitored Shear Lock

Unmonitored - Surface mount shear lock body for wood or metal frame with surface mount armature plate and mounting sleeve for armour plate glass doors.



£563.00

DSH751 Monitored Shear Lock

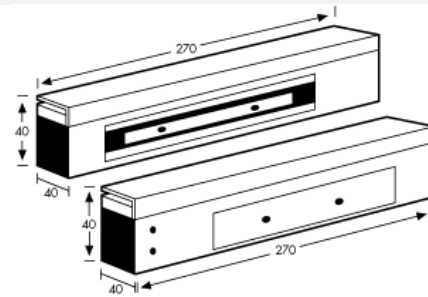
Monitored - Surface mount shear lock body for wood or metal frame with surface mount armature plate and mounting sleeve for armour plate glass doors.

£618.16

DSH750

DSH760 Un-monitored Shear Lock

Unmonitored - Surface mount shear lock body and mounting sleeve for glass frame, with surface mount armature plate and mounting sleeve for armour plate glass doors.



£618.00

DSH761 Monitored Shear Lock

Monitored - Surface mount shear lock body and mounting sleeve for glass frame, with surface mount armature plate and mounting sleeve for armour plate glass doors.

£672.00

DSH760

DMH541 Adhesive

Adhesive kit for mounting to glass

£95.00

[© Secure2000](http://www.secure2000.co.uk)